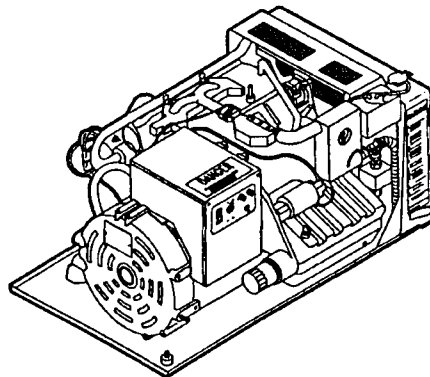


 **Dometic®**

Kwyatt
(Say it like it  sounds ...QUIET)

GENERATOR SET
MODEL
KWYATT 4.101 & 7.101

USA
SERVICE OFFICE
The Dometic Corp.
509 So. Poplar St.
LaGrange, IN 46761



WARNING

This unit must be serviced by an authorized serviceman. Modification of the appliance can be extremely hazardous and could lead to serious injury or death.



UNDERWRITERS
LABORATORIES
LISTED INC. ©

PARTS LIST

MODEL
KWYATT

4.101

Prod. No. 991590161

7.101

Prod. No. 991590171

ALPHABETICAL INDEX

	Page #
Air Cleaner System	8
Base Pan System	23
Camshaft & Valve System	21
Carburetor System	12
Control System	3
Cylinder Block System	20
Distributor System	10
Exhaust System	15
Fuel Pump System	11
Generator Specifications	2
Generator System	14
Ignition Coil & Spark Plug System	9
LP Conversion Kit	24
Manifold System	16
Mechanical Governor & Starter System	13
Oil Pump & Oil Pan System	19
Oil Filter System	17
Radiator System	4
Safety Switch System	7
Short Block & Cylinder Head System	18
Timing Belt & Cover System	22
Water Outlet System	5
Water Pump System	6

GENERATOR SPECIFICATIONS

1. ENGINE

KWYATT 4.101	KWYATT 7.101
4-cycle, in-line 3-cylinder, water-cooled, gasoline, remote start, 12 volts, negative (-) ground starter.	

2. GENERATOR

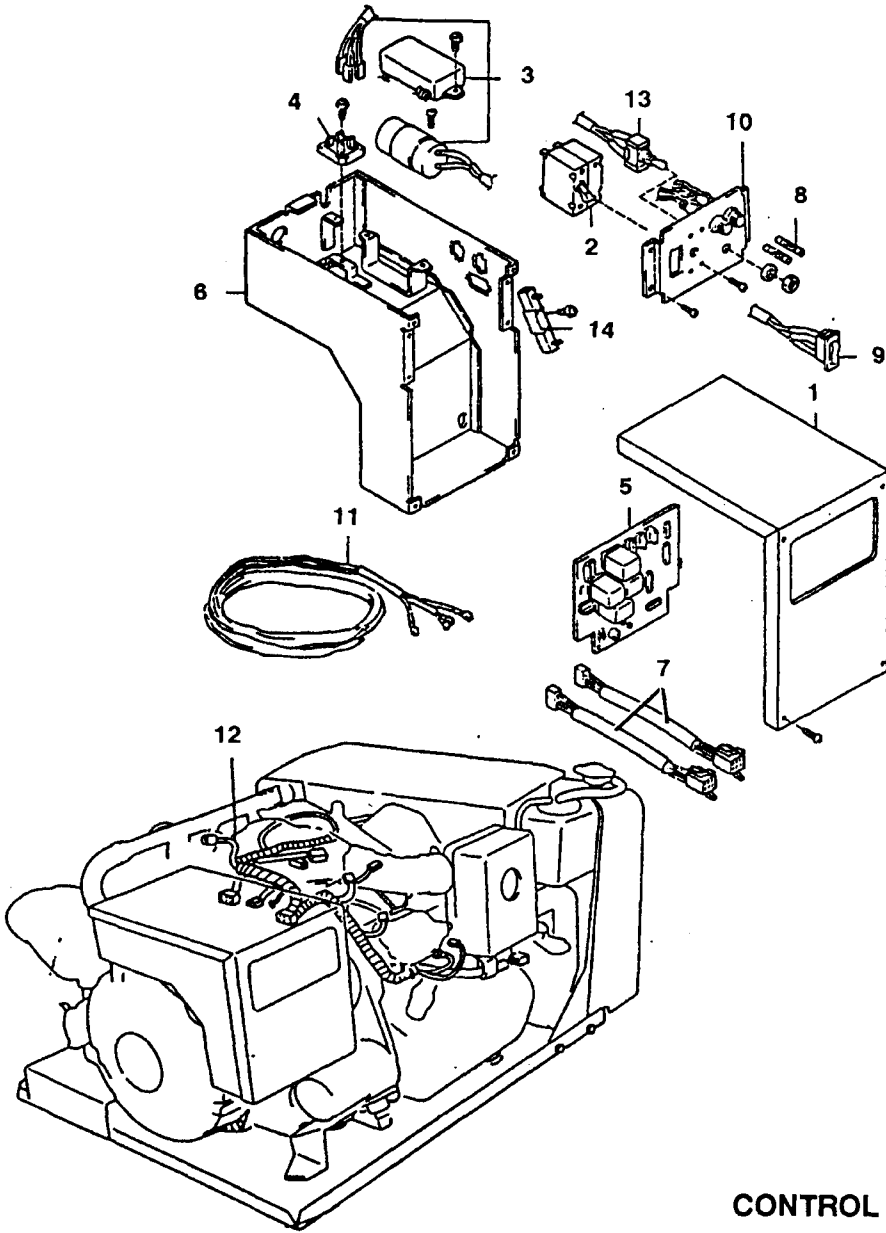
	KWYATT 4.101	KWYATT 7.101
	4-POLE, MAINTENANCE-FREE TYPE, 60 HZ., SINGLE-PHASE, WITH BATTERY CHARGING FUNCTION	
OUTPUT	AC 4000 W	AC 7000 W
VOLTAGE	120 V	120V / 240V
CURRENT	33.4 A	58.4 A / 29.2 each leg

3. CONTROL

KWYATT 4.101	KWYATT 7.101
REMOTE START (EQUIPPED WITH TWO CONNECTORS) AND CONTROL PANEL ON GENERATOR UNIT.	

4. GENERATOR SETS

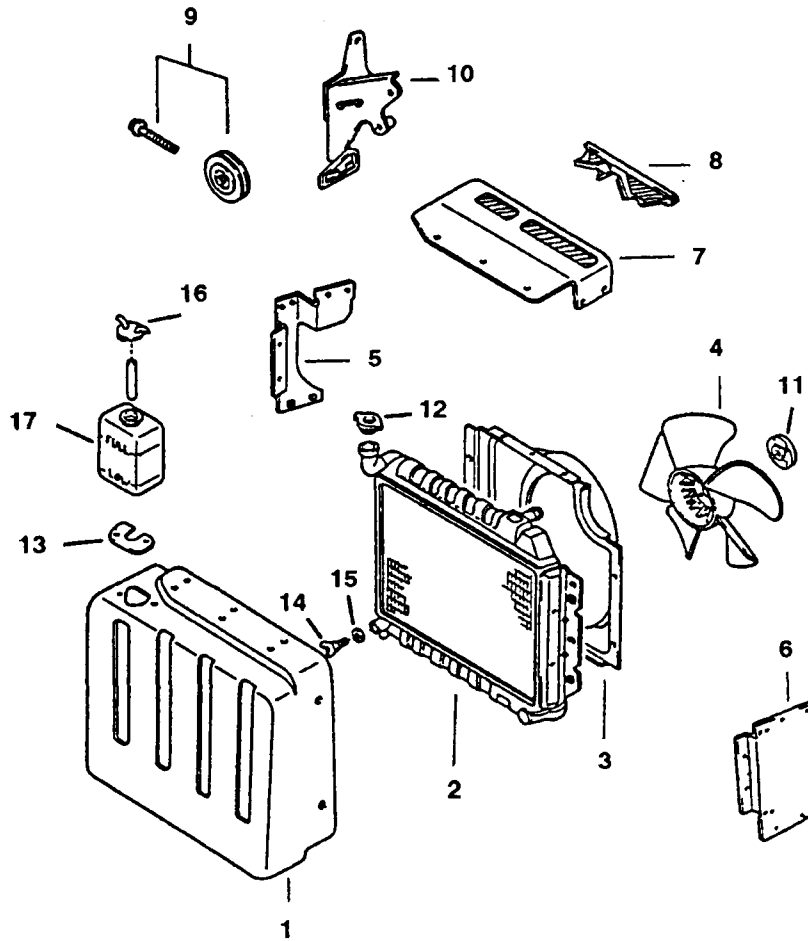
	KWYATT 4.101	KWYATT 7.101
Dimensions		
Height	15.2 (385)	15.3 (388)
Length	32.2 (818)	34.4 (874)
Width	22.4 (570)	23.2 (589)
Service Weight without muffler, water and oil	276 lbs. (125 kg)	313 lbs. (142 kg)
Air requirements		
Air inlet opening area	155 sq. in. (0.1 sq. m)	155 sq. in. (0.1 sq. m)
Engine revolution speed (60 Hz.)	1800 rpm	1800 rpm
Ground	Negative (-) ground	Negative (-) ground
Battery Voltage	12 V	12 V
Battery Charge Rate (amps)	6.0 amps 12V DC	6.0 amps 12V DC



CONTROL SYSTEM

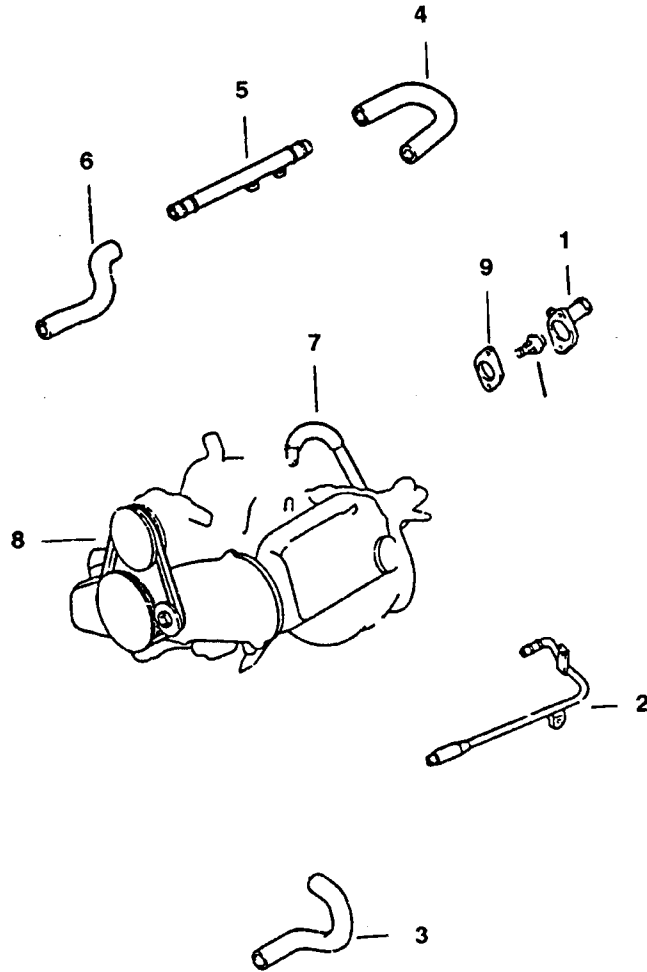
ITEM NO.	PART NO.	DESCRIPTION	KWYATT	
			4.101	7.101
1	3103310.003	Control box (cover)	X	X
2	3103299.008	Breaker assembly	X	X
3	3103303.008	Condenser (w/cover,cable & connector)	X	X
4	3103302.000	Rectifier	X	X
5	3103304.006	Printed circuit board	X	X
6	3103312.009	Control box	X	X
7	3103316.000	Harness cable	X	X
8	3103301.002	Fuse (15a)	X	X
9	3103300.004	Start/Stop switch	X	X
10	3103307.009	Control box (front)	X	X
11	3103315.002	Power cable	X	X
12	3103380.006	Engine cable	X	X
13	3103319.004	Switch	X	X
14	3103321.000	Resistor	X	X

KWYATT 4.101 AND 7.101



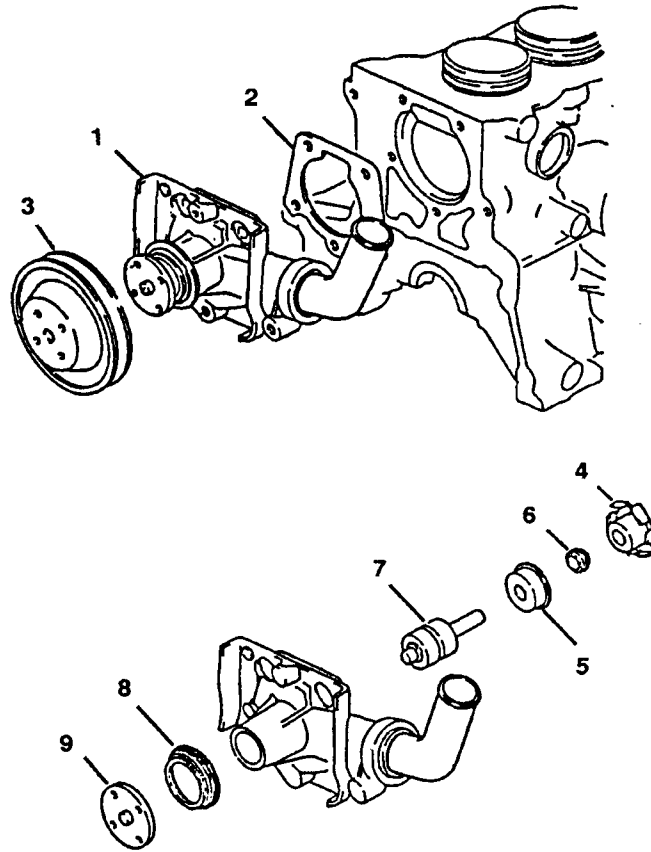
RADIATOR SYSTEM

ITEM NO.	PART NO.	DESCRIPTION	KWYATT	
			4.101	7.101
1	3103337.006	Radiator cover	X	X
2	3102144.007	Radiator	X	X
3	3102159.005	Fan shroud	X	X
4	3101153.009	Fan	X	X
5	3103331.009	Radiator bracket (RH)	X	X
6	3103333.005	Radiator bracket (LH)	X	X
7	3102165.002	Belt cover (No. 1)	X	X
8	3102166.000	Belt cover (No. 2)	X	X
9	3103335.000	Idle pulley asm. (w/bolt)	X	X
10	3103336.008	Idle pulley bracket	X	X
11	3103329.003	Fan spacer	X	X
12	3101159.006	Radiator cap	X	X
13	3102152.000	Radiator seal	X	X
14	3101157.000	Radiator drain cock plug	X	X
15	3101158.008	Radiator drain cock seal	X	X
16	3102147.000	Reserve tank cap	X	X
17	3102146.002	Reserve tank	X	X



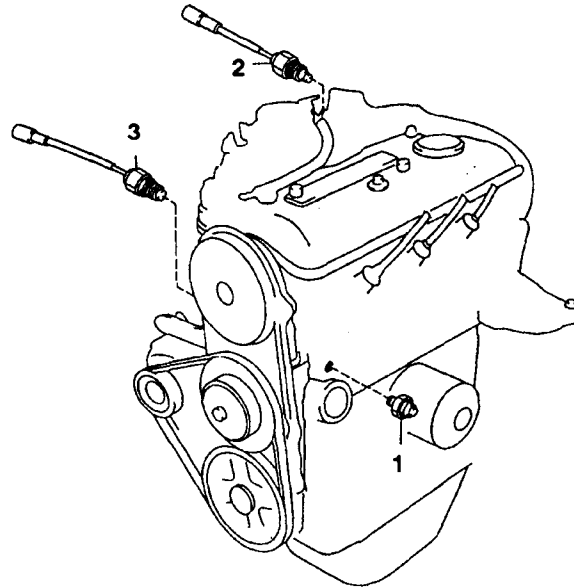
WATER OUTLET SYSTEM

ITEM NO.	PART NO.	DESCRIPTION	KWYATT	
			4.101	7.101
1	3103326.009	Water outlet	X	X
2	3103340.000	Water bypass pipe	X	-
	3103215.004	Water bypass pipe	-	X
3	3102158.007	Radiator hose (lower)	X	X
4	3101177.008	Water outlet hose	X	X
5	3102161.001	Water outlet pipe	X	X
6	3102157.009	Radiator hose (upper)	X	X
7	3103341.008	Hose	X	X
8	3103328.005	Fan belt	X	X
9	3101151.003	Water outlet gasket	X	X
10	3103327.007	Thermostat	X	X



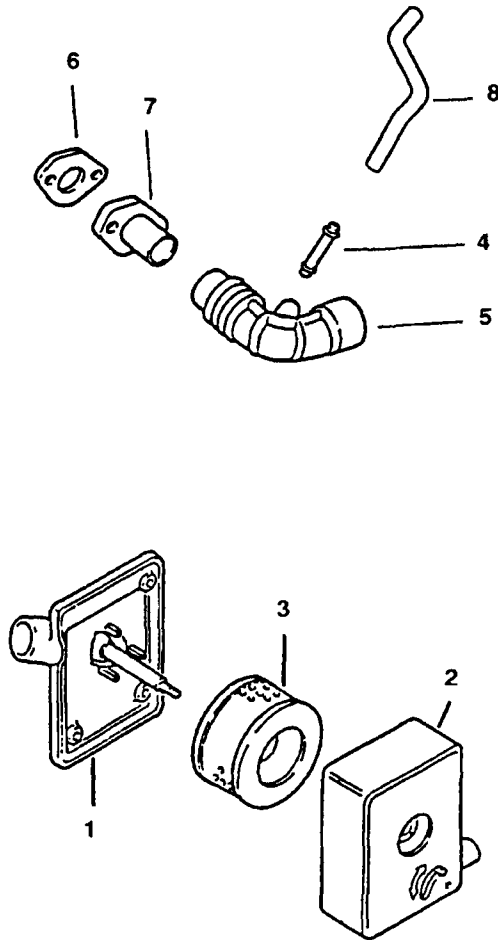
WATER PUMP SYSTEM

ITEM NO.	PART NO.	DESCRIPTION	KWYATT	
			4.101	7.101
1	3103356.006	Water pump	X	X
2	3102138.009	Water pump gasket	X	X
3	3103359.000	Water pump pulley	X	X
4-6	3102133.000	Water pump rotor kit	X	X
5-6	3103357.004	Water pump seal set	X	X
6	3102134.008	Tight plug	X	X
7	3103358.002	Water pump bearing	X	X
8	3103360.008	Dust seal	X	X
9	3102137.001	Water pump pulley seat	X	X



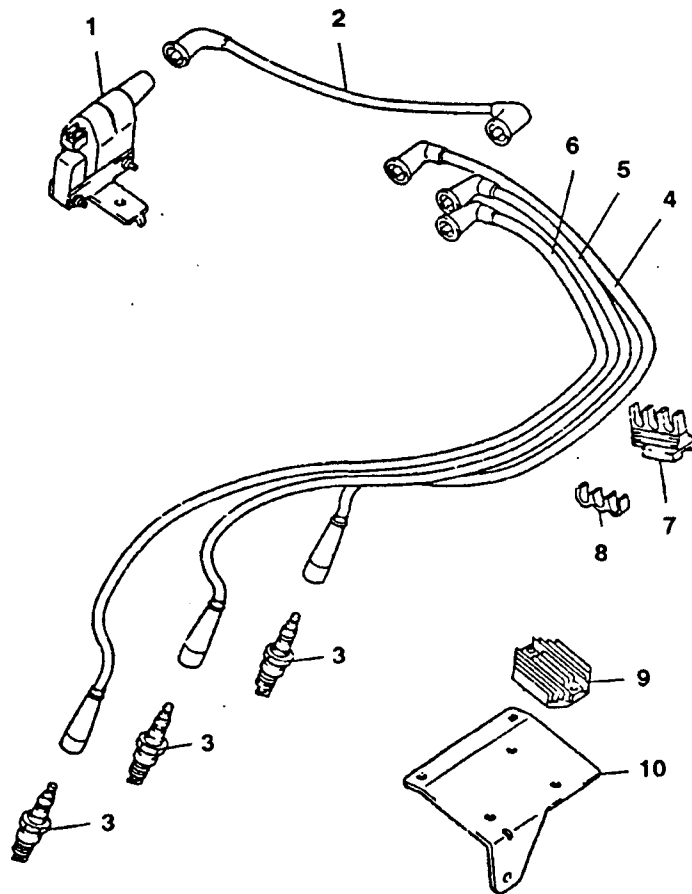
SAFETY SWITCH SYSTEM

ITEM NO.	PART NO.	DESCRIPTION	KWYATT	
			4.101	7.101
1	3103288.001	Oil pressure switch	X	X
2	3103289.009	Water thermo switch	X	X
3	3103290.007	Water thermo switch	X	X



AIR CLEANER SYSTEM

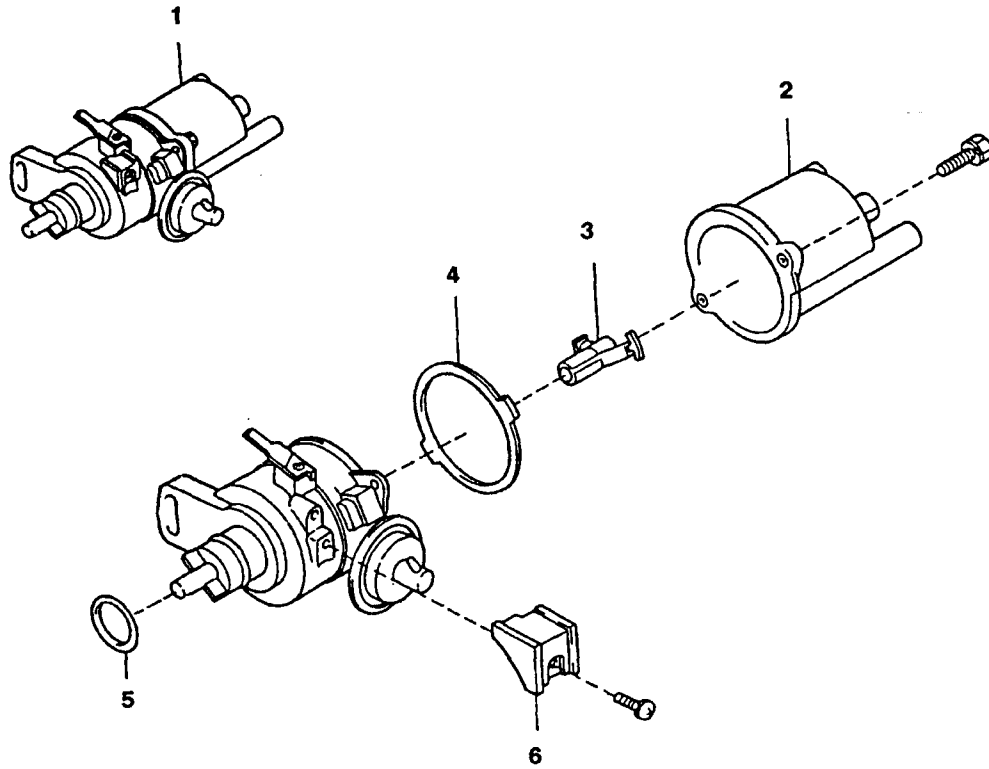
ITEM NO.	PART NO.	DESCRIPTION	KWYATT	
			4.101	7.101
1-2	3103351.007	Air cleaner asm, L/element	X	X
2	3102187.006	Air cleaner cap	X	X
3	3101191.009	Air cleaner element	X	X
4	3102191.008	Tube	X	X
5	3102188.004	Air cleaner hose	X	X
6	3101193.005	Air cleaner inlet gasket	X	X
7	3102189.002	Air cleaner to carb. pipe	X	X
8	3102050.006	Ventilation hose	X	X



IGNITION COIL & SPARK PLUG SYSTEM

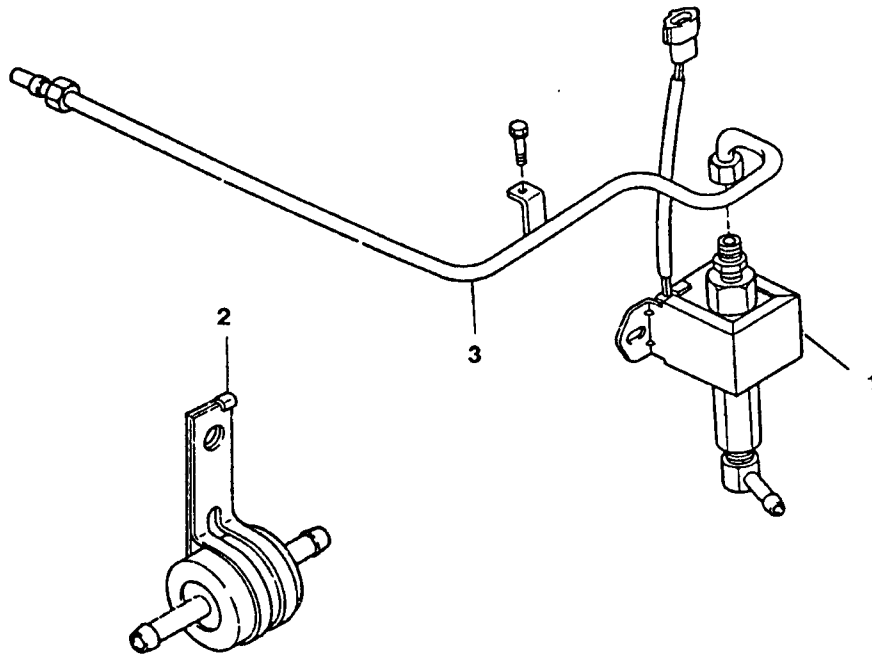
ITEM NO.	PART NO.	DESCRIPTION	KWYATT	
			4.101	7.101
1	3103271.007	Ignition coil	X	X
2	3103274.001	Ignition coil wire	X	X
3	3101200.008	Spark plugs	X	X
4	3102195.009	No. 1 spark plug wire	X	X
5	3102196.007	No. 2 spark plug wire	X	X
6	3102197.005	No. 3 spark plug wire	X	X
7	3103273.003	Clamp	X	X
8	3101206.005	Clamp	X	X
9	3103275.008	Regulator assembly	X	X
10	3103276.006	Ignition coil bracket	X	X

KWYATT 4.101 AND 7.101



DISTRIBUTION SYSTEM

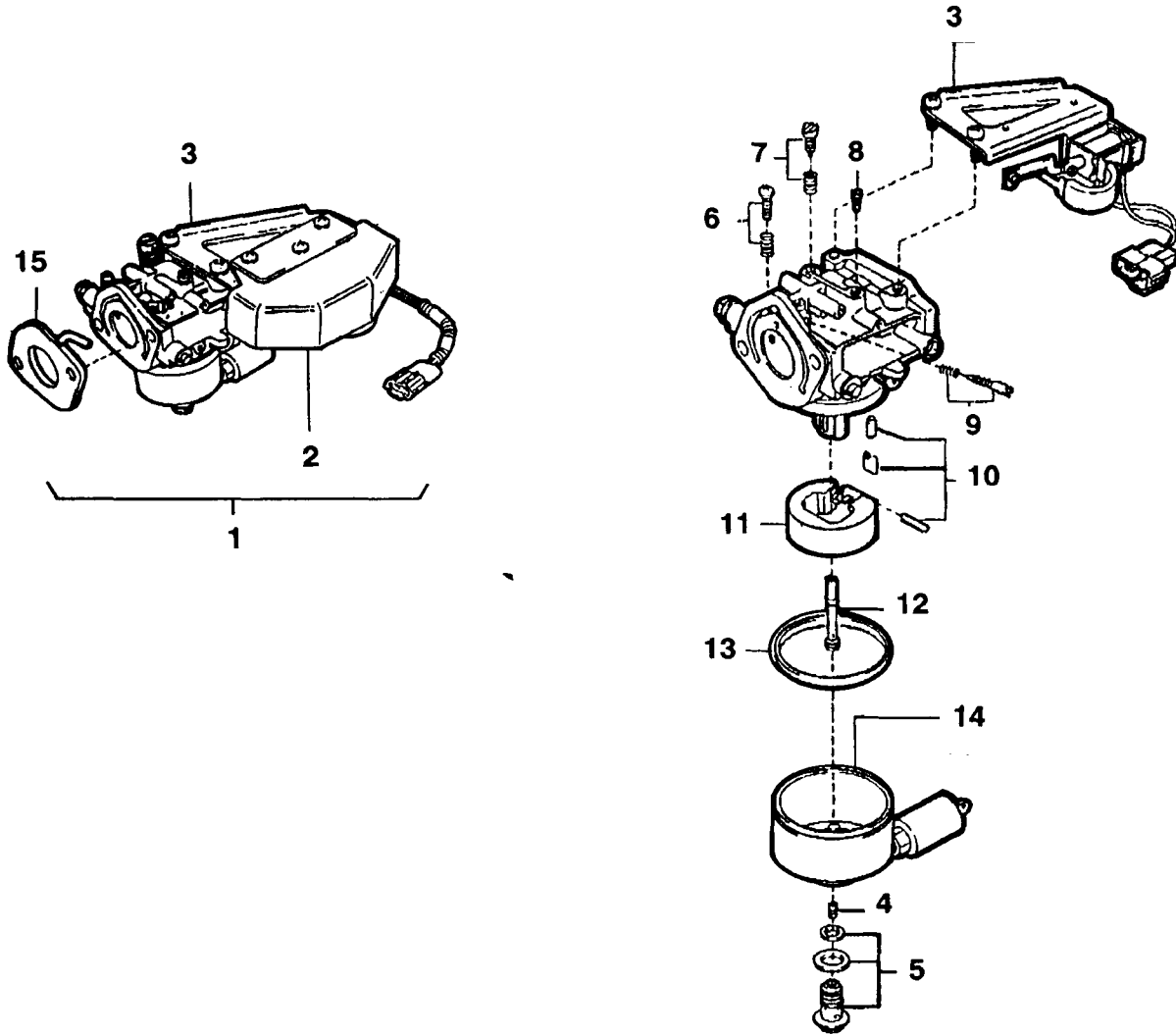
ITEM NO.	PART NO.	DESCRIPTION	KWYATT	
			4.101	7.101
1	3103277.004	Distributor assembly	X	X
2	3103278.002	Distributor cap	X	X
3	3103279.000	Rotor	X	X
4	3102205.006	Dust proof cover	X	X
5	3103280.008	O Ring	X	X
6	3103281.006	Dust proof cover	X	X



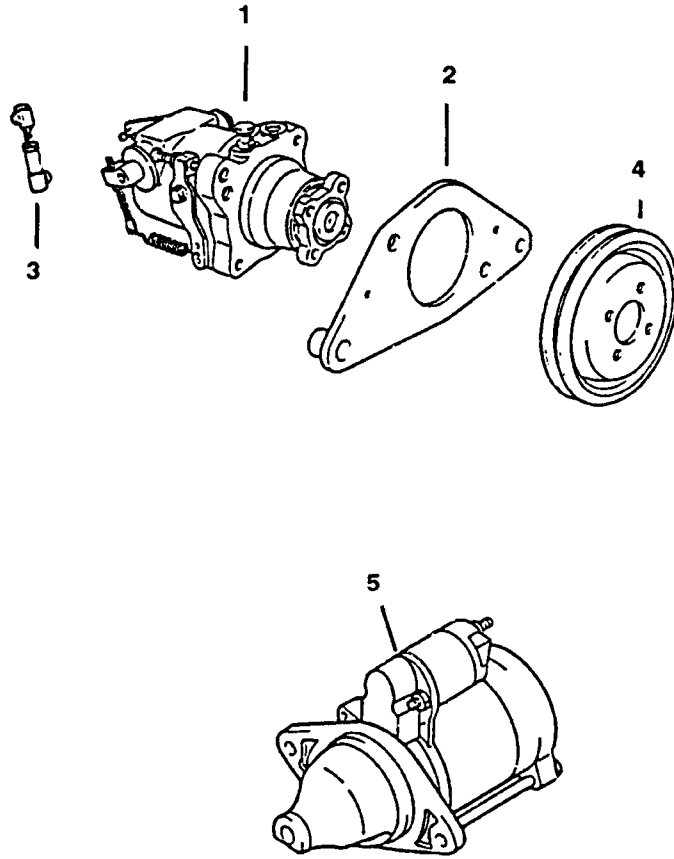
FUEL PUMP SYSTEM

ITEM NO.	PART NO.	DESCRIPTION	KWYATT	
			4.101	7.101
1	3103286.005	Fuel pump	X	X
2	3103287.003	Fuel filter	X	X
3	3103282.004	Fuel pipe	X	X

KWYATT 4.101 AND 7.101

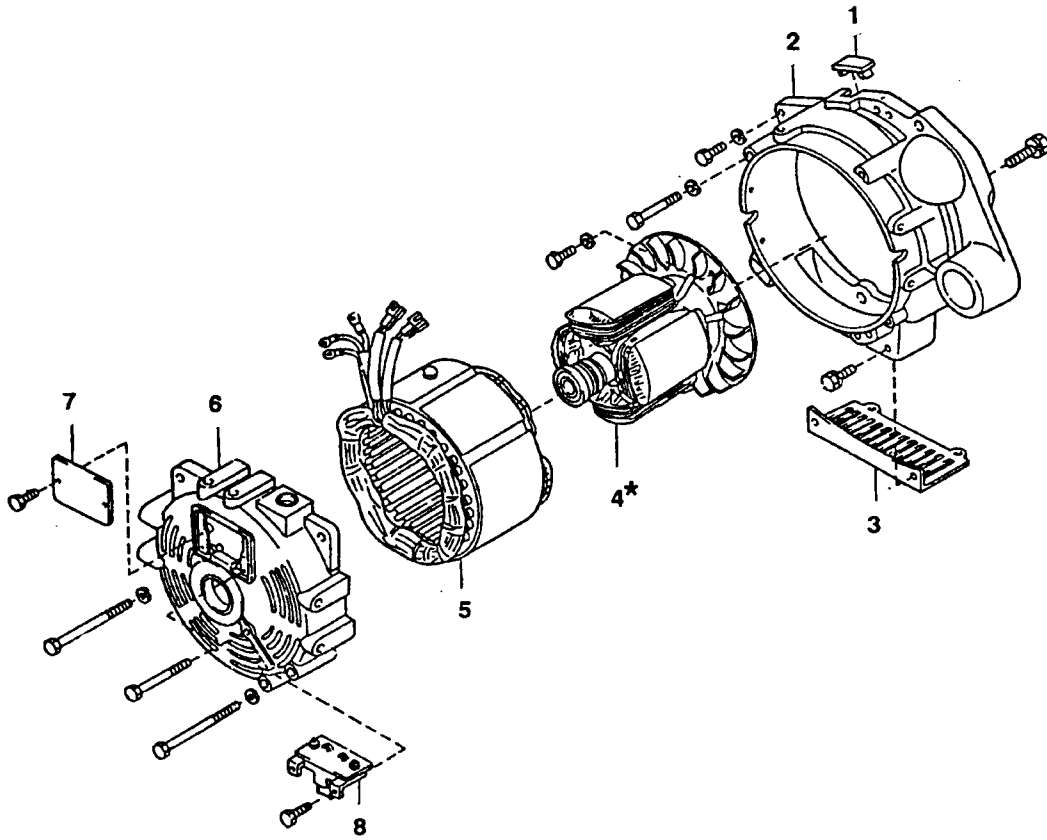


ITEM NO.	PART NO.	DESCRIPTION	KWYATT	
			4.101	7.101
1	3103283.002	Carburetor	X	-
	3103482.000	Carburetor	-	X
2	3101218.000	Carburetor choke cover	X	X
3	3101220.006	Auto choke	X	X
4	3103481.002	Main jet	X	-
	3103491.001	Main jet	-	X
5	3101219.008	Main jet holder	X	X
	3101224.008	Throttle adjusting screw	X	X
7	3103480.004	Mixture adjusting screw	X	-
	3103490.003	Mixture adjusting screw	-	X
8	3103479.006	Slow jet	X	-
	3103484.006	Slow jet	-	X
9	3101223.000	Idle adjusting screw	X	-
	3103486.001	Idle adjusting screw	-	X
10	3101225.005	Needle valve	X	X
11	3101222.002	Float	X	X
12	3101232.001	Main nozzle	X	-
	3103492.009	Main nozzle	-	X
13	3101226.003	Air horn gasket	X	X
14	3101233.009	Float chamber body	X	X
15	3103284.000	Carburetor heat insulator	X	X



MECHANICAL GOVERNOR & STARTER SYSTEM

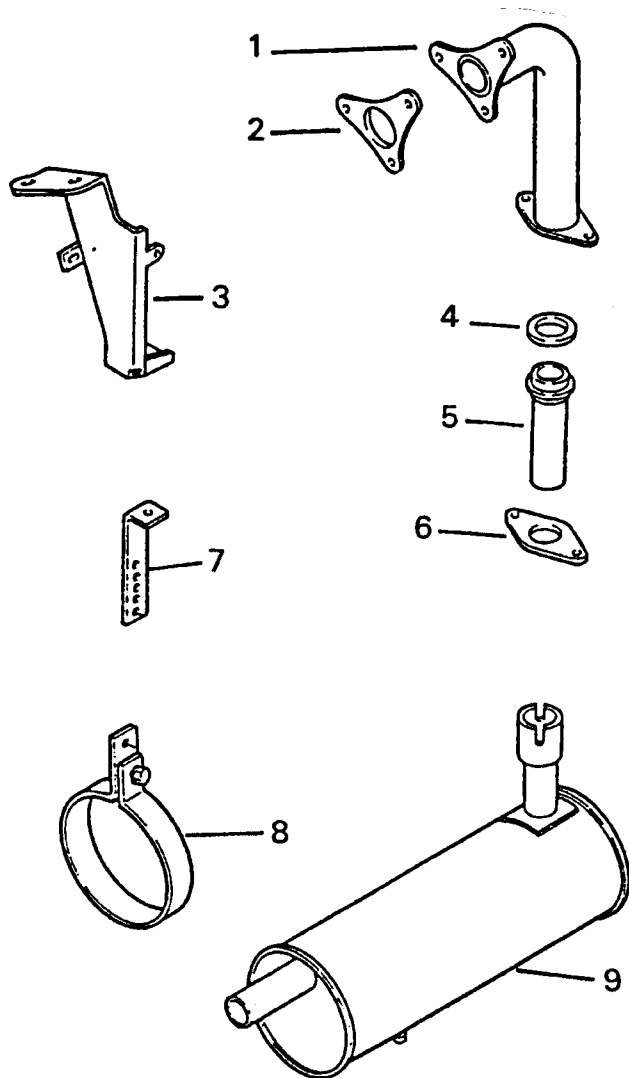
ITEM NO.	PART NO.	DESCRIPTION	KWYATT	
			4.101	7.101
1	3103285.007	Governor assembly w/spring	X	-
	3103213.009	Governor assembly w/spring	-	X
2	3102229.006	Governor bracket	X	X
3	3102230.004	Governor connecting rod	X	-
	3103214.007	Governor connecting rod	-	X
4	3102231.002	Governor pulley	X	X
5	3101210.007	Starter	X	X



GENERATOR SYSTEM

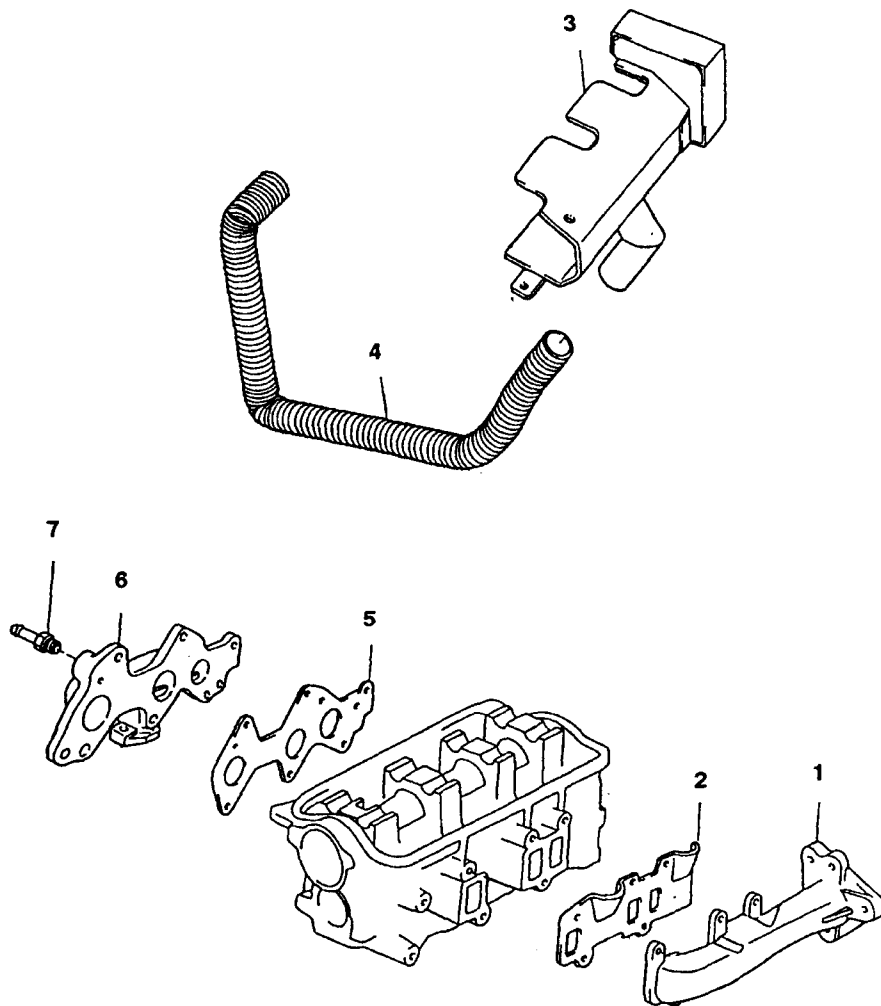
ITEM NO.	PART NO.	DESCRIPTION	KWYATT	
			4.101	7.101
1	3102238.007	Clutch housing cover	X	X
2	3103295.006	Generator front housing	X	X
3	3103291.005	Housing underguard	X	X
4*	3103294.009	Generator rotor w/bearing	X	X
5	3103292.003	Generator stator	X	X
6	3103293.001	Generator cover	X	X
7	3103298.000	Brush cover	X	X
8	3103297.002	Brush w/holder	X	X

* Bearing location is very critical. Field replacement of the bearing is not recommended, and it is not available as a separate part.



EXHAUST SYSTEM

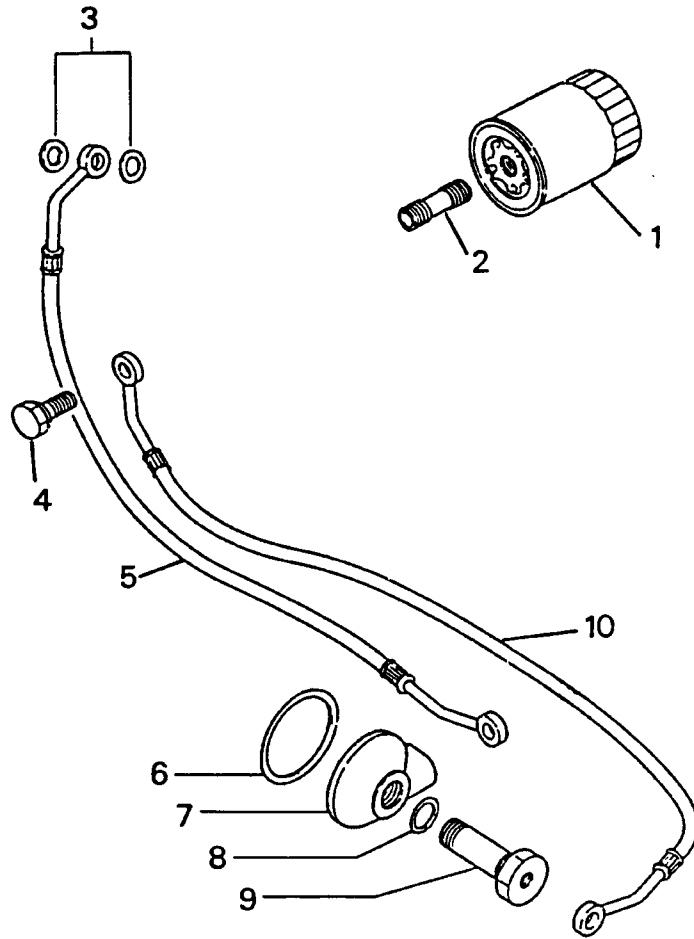
ITEM NO.	PART NO.	DESCRIPTION	KWYATT	
			4.101	7.101
1	3103349.001	Exhaust pipe	X	X
2	3102178.005	Exhaust pipe gasket	X	X
3	3102177.007	Muffler bracket	X	X
4	3101920.001	Gasket	X	X
5	3101918.005	Exhaust pipe joint	X	X
6	3101919.003	Exhaust pipe flange	X	X
7	3101916.009	Muffler clamp bracket	X	X
8	3103350.009	Muffler clamp	X	X
9	3102658.006	Muffler, asm.	X	X



MANIFOLD SYSTEM

ITEM NO.	PART NO.	DESCRIPTION	KWYATT	
			4.101	7.101
1	3103343.004	Exhaust manifold	X	X
2	3102169.004	Exhaust manifold gasket	X	X
3	3103345.009	Hot air shroud	X	X
4	3102174.004	Hot air inlet duct	X	X
5	3103344.002	Intake manifold gasket	X	X
6	3102167.008	Intake manifold	X	X
7	3102172.008	Bleeder plug	X	X

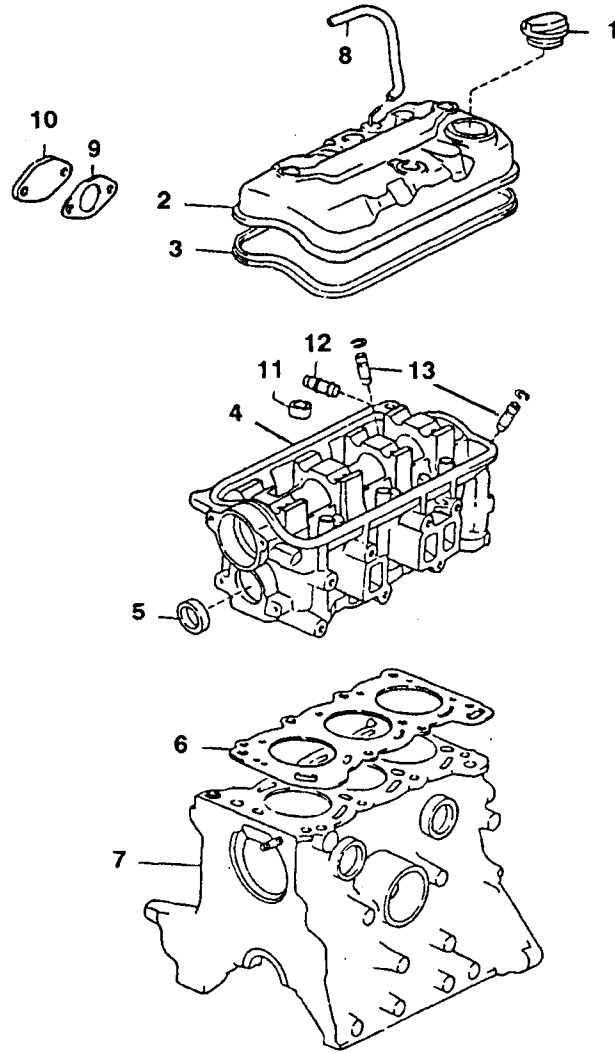
KWYATT 4.101 AND 7.101



OIL FILTER SYSTEM

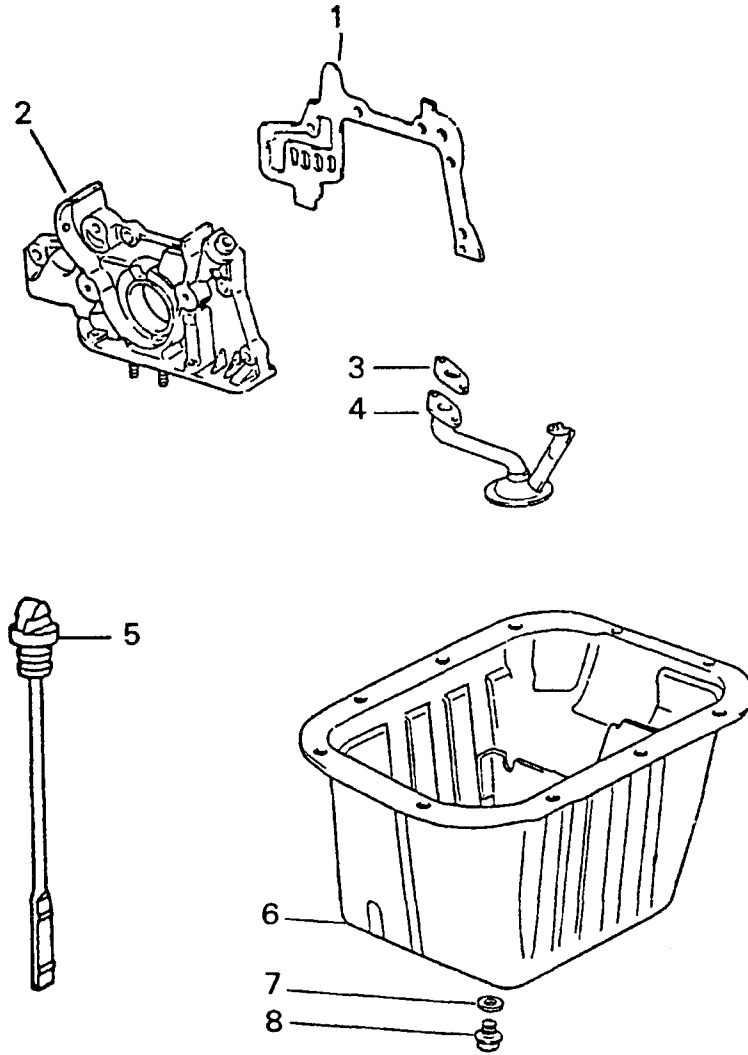
ITEM NO.	PART NO.	DESCRIPTION	KWYATT	
			4.101	7.101
1	3102117.003	Oil filter	X	X
2	3102119.009	Union	X	X
3	3102126.004	Plate washer	X	X
4	3102125.006	Union bolt	X	X
5	3102124.009	No. 2 oil hose	X	X
6	3102118.001	O Ring	X	X
7	3102120.007	Oil filter cover	X	X
8	3102122.003	Gasket	X	X
9	3102121.005	Union bolt	X	X
10	3102123.001	No. 1 oil hose	X	X

KWYATT 4.101 AND 7.101



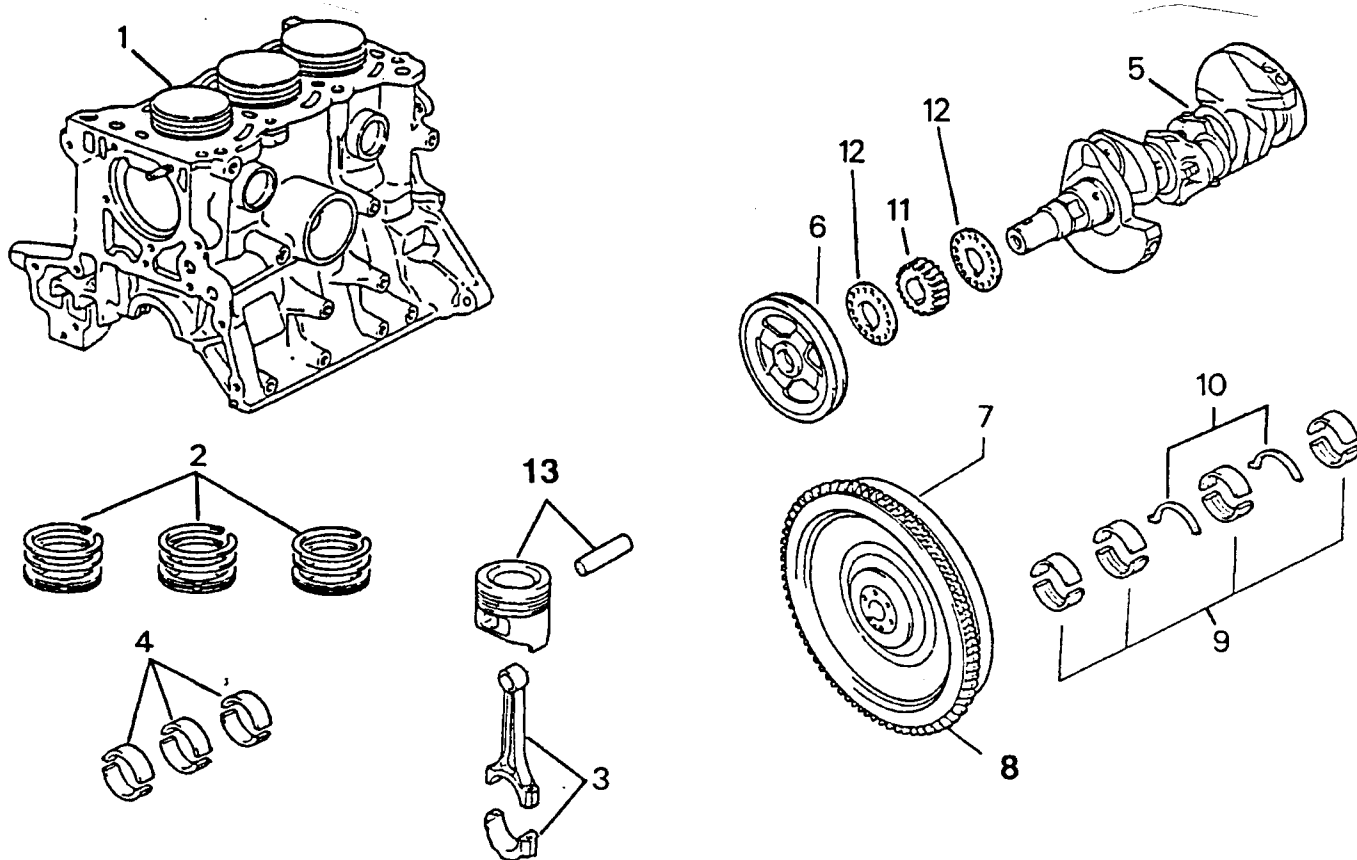
SHORT BLOCK & CYLINDER HEAD SYSTEM

ITEM NO.	PART NO.	DESCRIPTION	KWYATT	
			4.101	7.101
1	3103221.002	Oil filler cap	X	X
2	3103220.004	Cylinder head cover	X	X
3	3102012.006	Cylinder head cover gasket	X	X
4	3103219.006	Cylinder head assembly	X	-
	3103192.005	Cylinder head assembly	-	X
5	3102004.003	No. 1 tight plug	X	X
6	3102003.013	Cylinder head gasket	X	-
	3103193.003	Cylinder head gasket	-	X
7	3102000.019	Short block assembly	X	-
	3102000.001	Short block assembly	-	X
8	3103222.000	Blow-by gas hose	X	X
9	3103223.008	Gasket	X	X
10	3102016.007	Plate	X	X
11	3102005.000	No. 2 tight plug	X	X
12	3102014.002	Tube	X	X
13	3102006.008	Bushing, valve guide intake/exhaust bushing	X	X



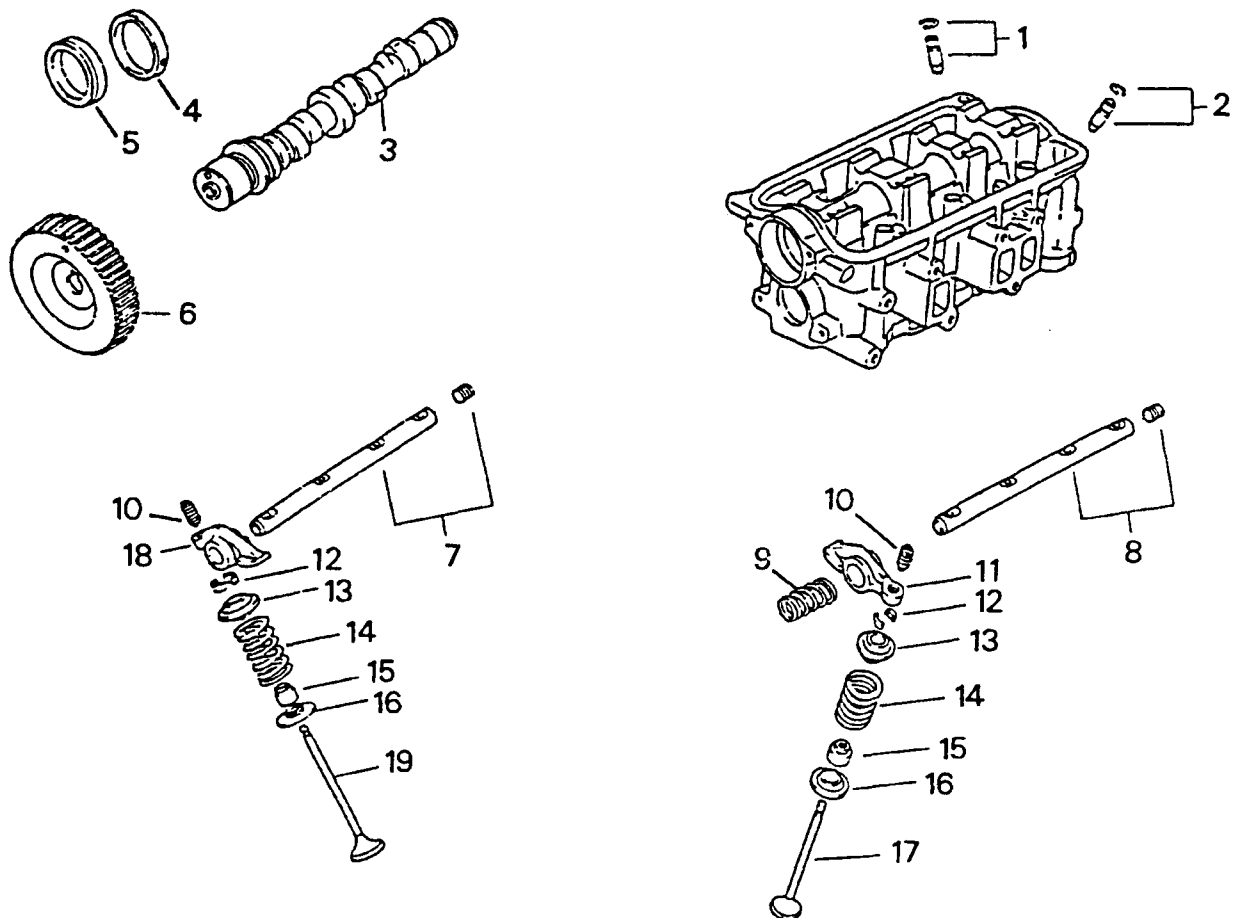
OIL PUMP & OIL PAN SYSTEM

ITEM NO.	PART NO.	DESCRIPTION	KWYATT	
			4.101	7.101
1	3102113.002	Oil pump gasket	X	X
2	3103353.003	Oil pump	X	X
3	3102110.008	Oil strainer flange gasket	X	X
4	3103354.001	Oil strainer	X	X
5	3103226.001	Oil level gauge	X	X
6	3103225.003	Oil pan	X	X
7	3102024.001	Gasket	X	X
8	3102023.003	Plug	X	X



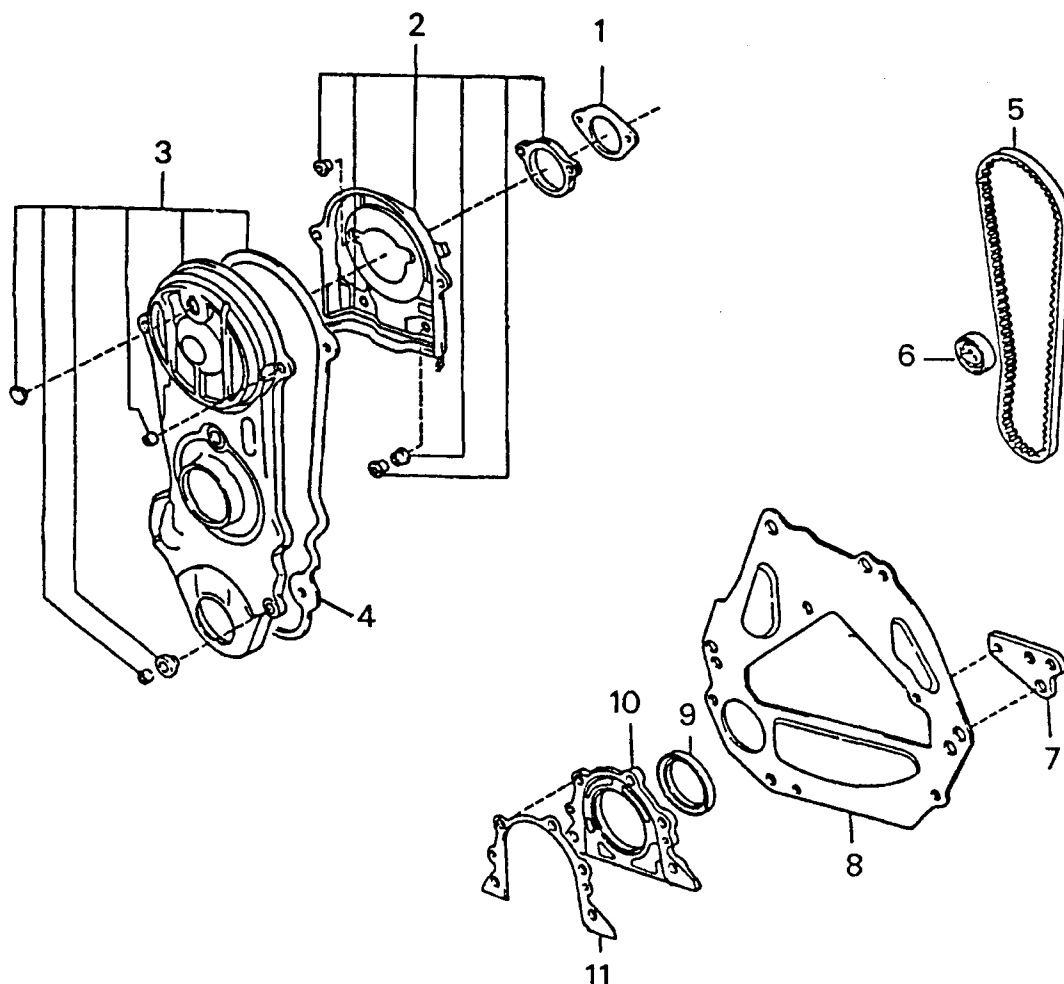
CYLINDER BLOCK SYSTEM

ITEM NO.	PART NO.	DESCRIPTION	KWYATT	
			4.101	7.101
1	3103224.006	Cylinder block	X	-
	3103191.007	Cylinder block	-	X
2	3103247.007	Piston ring set	X	-
	3102057.001	Piston ring set	-	X
3	3103257.006	Connecting rod	X	-
	3103208.009	Connecting rod	-	X
4	3103258.004	Connecting rod bearing	X	-
	3102068.008	Connecting rod bearing	-	X
5	3103263.004	Crankshaft	X	-
	3103211.003	Crankshaft	-	X
	3103265.009	Crankshaft pulley	X	X
7	3103262.006	Flywheel sub-assembly	X	-
	3103210.005	Flywheel sub-assembly	-	X
8	3103264.002	Gear, fly-wheel	X	X
9	3103243.006	Crankshaft bearing	X	-
	3102055.005	Crankshaft bearing	-	X
10	3102052.010	Crankshaft thrust bearing washer set	X	-
	3102052.002	Crankshaft thrust bearing washer set	-	X
11	3103266.007	Crankshaft timing belt pulley relay	X	X
12	3103267.005	Crankshaft timing belt pulley flange	X	X
13	3103252.007	Piston w/pin	X	-
	3103203.000	Piston w/pin	-	X



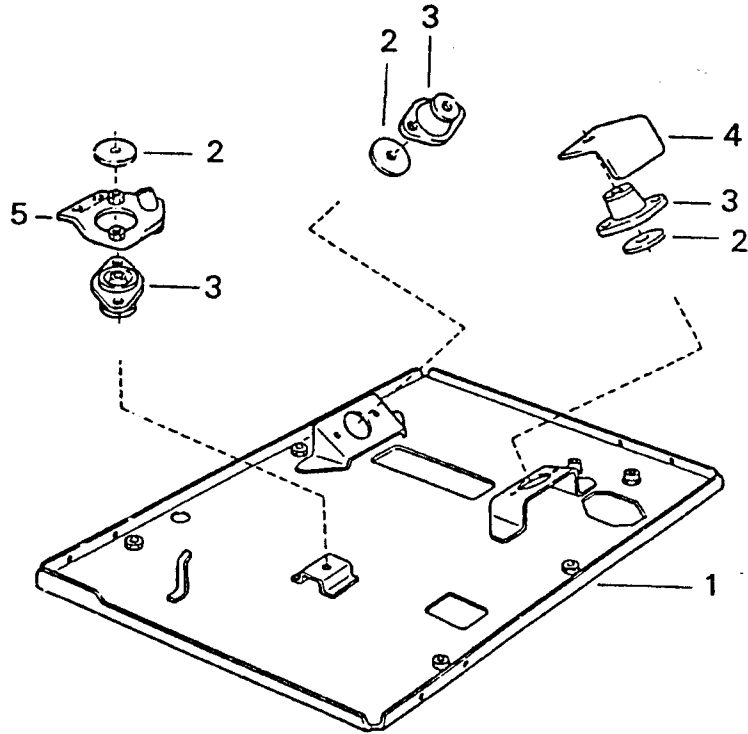
CAMSHAFT & VALVE SYSTEM

ITEM NO.	PART NO.	DESCRIPTION	KWYATT	
			4.101	7.101
1	3102006.008	Valve guide intake bushing	X	X
2	3102006.008	Valve guide exhaust bushing	X	X
3	3103361.006	Camshaft	X	-
	3103217.000	Camshaft	-	X
4	3103362.004	Camshaft thrust plate	X	X
5	3103368.001	Type T oil seal	X	X
6	3103363.002	Camshaft timing belt pulley	X	X
7	3102095.001	No. 1 valve rocker shaft	X	X
8	3102096.009	No. 2 valve rocker shaft	X	X
9	3102097.007	Compression spring	X	X
10	3103367.003	Valve adjusting screw	X	X
11	3102093.006	Valve rocker arm	X	X
12	3102087.008	Valve spring retainer lock	X	X
13	3102086.000	Valve spring retainer	X	X
14	3103366.005	Compression spring	X	X
15	3102085.002	Valve stem oil seal	X	X
16	3102084.005	Valve spring seat	X	X
17	3103365.007	Exhaust valve	X	-
	3102083.007	Exhaust valve	-	X
18	3102092.008	Valve rocker arm	X	X
19	3103364.000	Intake valve	X	-
	3102082.009	Intake valve	-	X



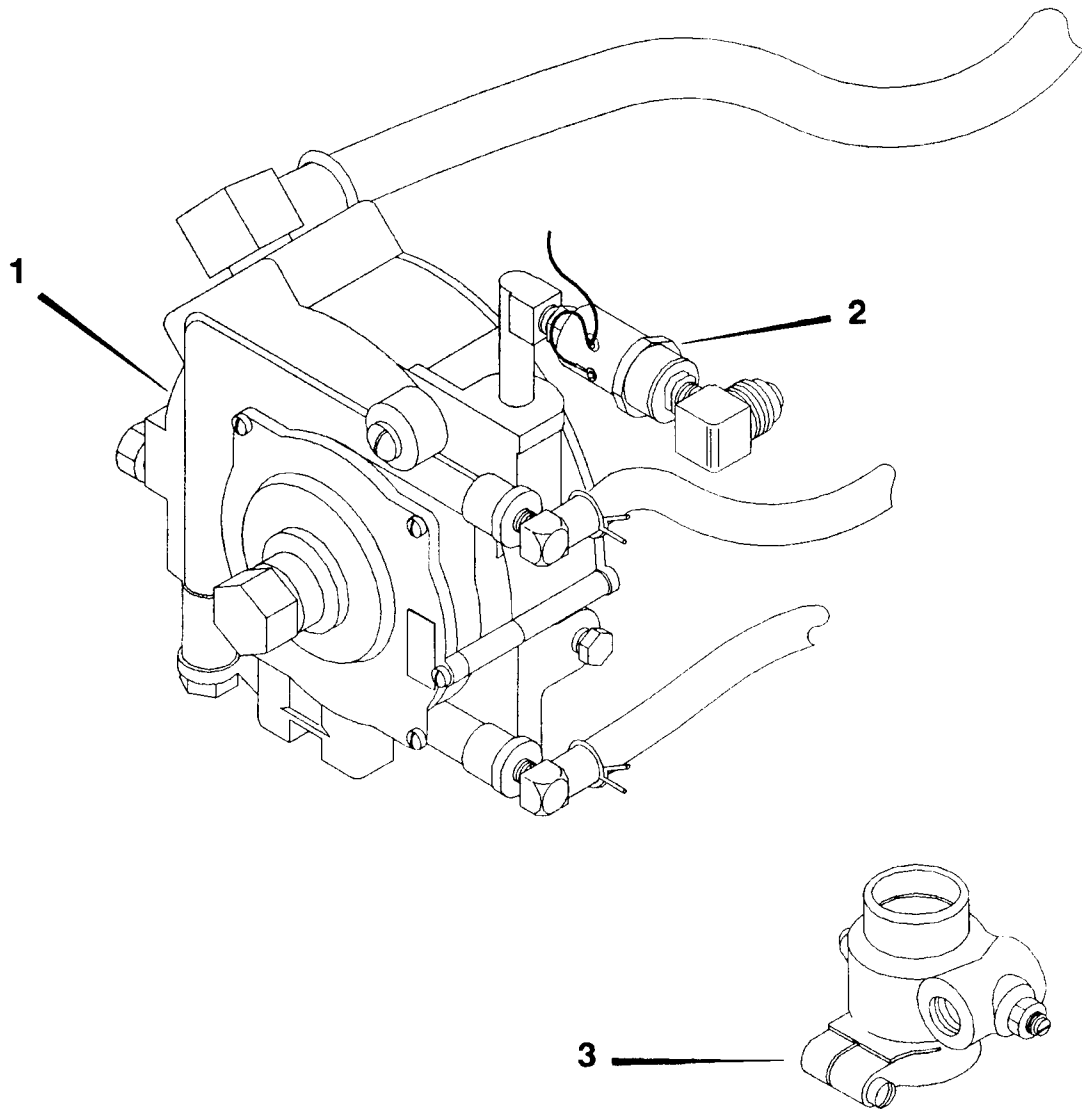
TIMING BELT & COVER SYSTEM

ITEM NO.	PART NO.	DESCRIPTION	KWYATT	
			4.101	7.101
1	3103232.009	Oil seal plate	X	X
2	3103229.005	No. 2 timing belt cover	X	-
	3103201.004	No. 2 timing belt cover	-	X
3	3103227.009	Timing belt cover w/gasket	X	-
	3103199.000	Timing belt cover w/gasket	-	X
4	3103228.007	Timing belt gasket	X	-
	3103200.006	Timing belt gasket	-	X
5	3103370.007	Timing belt	X	-
	3103218.008	Timing belt	-	X
6	3103369.009	Timing belt tensioner	X	X
7	3103239.004	Block rear support	X	X
8	3103235.002	Rear end plate	X	X
9	3103237.008	Engine rear oil seal	X	X
10	3103236.000	Engine rear oil seal retainer	X	X
11	3102042.003	Engine rear oil seal gasket	X	X



BASE PAN SYSTEM

ITEM NO.	PART NO.	DESCRIPTION	KWYATT	
			4.101	7.101
1	3103241.000	Engine support base	X	-
	3103202.002	Engine support base	-	X
2	3102049.008	Plate washer	X	X
3	3103240.002	Engine mounting insulator	X	X
4	3103242.008	Insulator	X	X
5	3102045.006	Engine mounting bracket (LH)	X	X



3102667.007 LP CONVERSION KIT

ITEM NO.	PART NO.	DESCRIPTION	KWYATT	
			4.101	7.101
1	3103495.002	Regulator	X	X
2	3103494.005	Solenoid, filter	X	X
3	3103496.000	Carb. adapter	X	X